

Campana de humos nacional (PROVENT)

- Mod. **54** - Incluye como accesorios, dos tubos fluorescentes, interruptor de encendido apagado, dos contactos eléctricos duplex a 120 VAC, un servicio de agua y uno de gas.
- En campanas de 96" (243.84 cm) de largo, cuentan con dos tubos fluorescentes extras.

| Medidas | 48" (121.92 cm) | 60" (152.40 cm) | 72" (182.88 cm) | 96" (243.84 cm) |
|---------|-------------------|-------------------|-------------------|-------------------|
|---------|-------------------|-------------------|-------------------|-------------------|

| Super-estruc. | 54L0026P0B | 54L0027P0B | 54L0028P0B | 54L0029P0B |
|---------------|------------|------------|------------|------------|
|---------------|------------|------------|------------|------------|

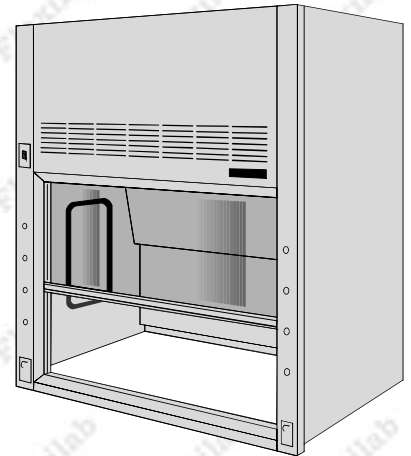
Sistema de Extraccion

| Nacional | S-CEB-2600 | S-CET-4000 | S-CET-4000 | S-CET-5000 |
|-----------|------------|------------|------------|------------|
| Importado | S-PLAS25 | S-PLAS25 | S-PLAS30 | S-PLAS35 |

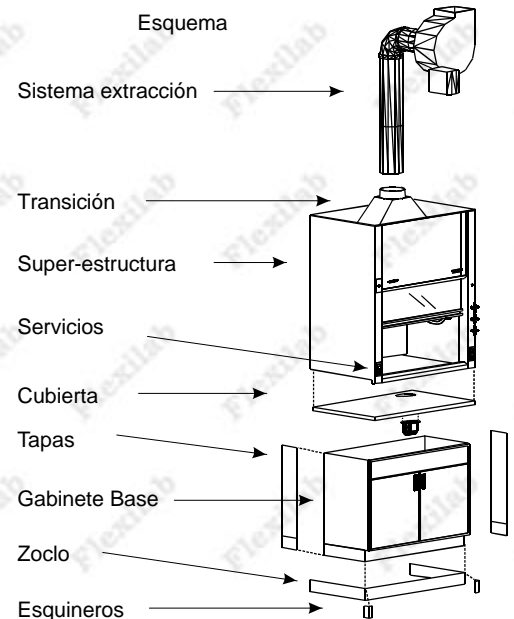
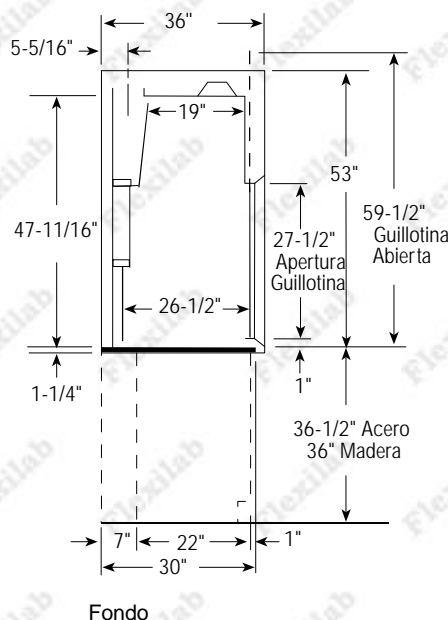
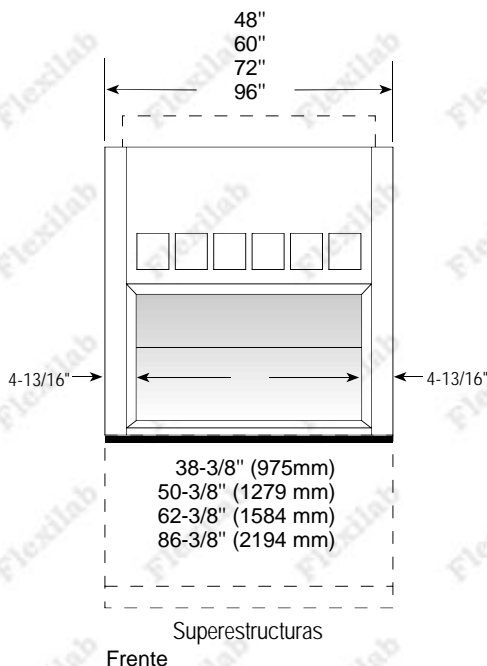
Servicios Extras

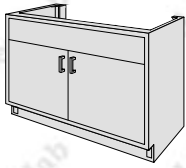
| Agua | L3185CW-CR | L3185CW-CR | L3185CW-CR | L3185CW-CR |
|----------------|------------|------------|------------|------------|
| Gas | L3185G-CR | L3185G-CR | L3185G-CR | L3185G-CR |
| Aire | L3185A-CR | L3185A-CR | L3185A-CR | L3185A-CR |
| Vacio | L3185V-CR | L3185V-CR | L3185V-CR | L3185V-CR |
| Nitrogeno | L3185NI-CR | L3185NI-CR | L3185NI-CR | L3185NI-CR |
| Oxigeno | L3185OX-CR | L3185OX-CR | L3185OX-CR | L3185OX-CR |
| C. Elect 110 V | 36L20700 | 36L20700 | 36L20700 | 36L20700 |
| C. Elect 220 V | 36L21300 | 36L21300 | 36L21300 | 36L21300 |

| Racks | RK-48 | RK-60 | RK-72 | RK-96 |
|--------------|---------------|---------------|---------------|---------------|
| Transición | TRANSI-48 | TRANSI-60 | TRANSI-72 | TRANSI-96 |
| Tapas ajuste | FHLB-CB | FHLB-CB | FHLB-CB | FHLB-CB |
| Zoclo | ZOEL (133 cm) | ZOEL (265 cm) | ZOEL (295 cm) | ZOEL (356 cm) |
| Esquineros | 90L04000 (2) | 90L04000 (2) | 90L04000 (2) | 90L04000 (2) |



| | INOXIDABLE 304 | EPOXY NEGRO | EPOXY GRIS | EPOXY OTRO COL. | CERAMICA | FENOLICA |
|-----------|----------------|-------------|------------|-----------------|----------|----------|
| Cubiertas | CGc-2 | CGc-7n | CGc-7g | CGc-7o | CGc-9p | CGc-11 |
| Escudilla | S-EINOX | S-TS-04n | S-TS-04g | S-TS-04o | S-ESS-9 | -- |





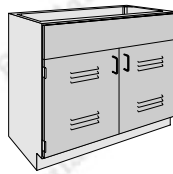
Gabinete base para campana

Mod.

BHL

| |
|-------------|
| NACIONAL |
| PERSPECTIVE |

| | |
|------|------------|
| 30 " | BHL8330NNP |
| | BHL8330LNP |
| 36 " | BHL8336NNP |
| | BHL8336LNP |
| 42 " | BHL8342NNP |
| | BHL8342LNP |
| 48 " | BHL8348NNP |
| | BHL8348LNP |



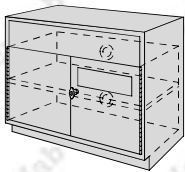
Gabinete guarda ácidos para campana

Mod.

BHL

| |
|-------------|
| NACIONAL |
| PERSPECTIVE |

| | |
|------|------------|
| 30 " | BHL8830NNP |
| | BHL8830LNP |
| 36 " | BHL8836NNP |
| | BHL8836LNP |
| 42 " | BHL8842NNP |
| | BHL8842LNP |
| 48 " | BHL8848NNP |
| | BHL8848LNP |



Gabinete guarda flamables para campanas CERRADO MANUAL

Mod.

950

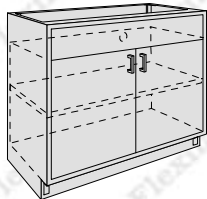
| | |
|-----------|------|
| IMPORTADO | |
| STEEL | WOOD |
| S | C |

| | | |
|------|----------|----------|
| 30 " | 950S7660 | 950C766D |
| 36 " | 950S7670 | 950C767D |
| 42 " | 950S7680 | 950C768D |
| 48 " | 950S7690 | 950C769D |

Gabinete guarda flamables para campanas AUTOMATICO

| |
|-----------|
| IMPORTADO |
| STEEL |
| S |

| | |
|------|----------|
| 30 " | 950S7780 |
| 36 " | 950S7790 |
| 42 " | 950S7800 |
| 48 " | 950S7810 |



Gabinete GUARDA ÁCIDOS con puertas, entrepaño y faldón (con recubrimiento en Resisto-Roc)

Mod.

144

Ventilación en la parte posterior de 10 cm de diámetro

| | IMPORTADO | | | | | | | NACIONAL |
|------|-----------|-----------|----------|----------|----------|----------|---------------|-------------|
| | STEEL | STAINLESS | PLASTIC | WOOD | PHENOLIC | PRESTIGE | POLIPROPILENO | PERSPECTIVE |
| | S | B | P | C | Y | J | NU | L |
| 30 " | 144S5320 | 144B5320 | 144P532B | 144C532B | | 144J532B | NU-50-3036 | BHL8830NNP |
| | 144S532L | 144B532L | 144P532D | 144C532D | | 144J532D | | BHL8830LNP |
| 36 " | 144S6320 | 144B6320 | 144P632B | 144C632B | | 144J632B | NU-50-3636 | BHL8836NNP |
| | 144S632L | 144B632L | 144P632D | 144C632D | | 144J632D | | BHL8836LNP |
| 42 " | | | | | | | | BHL8842NNP |
| | | | | | | | | BHL8842LNP |
| 48 " | 144S8320 | 144B8320 | 144P832B | 144C832B | | 144J832B | NU-50-4836 | BHL8848NNP |
| | 144S832L | 144B832L | 144P832D | 144C832D | | 144J832D | | BHL8848LNP |